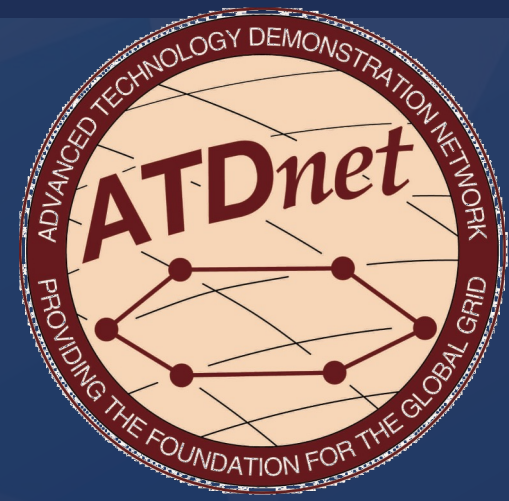
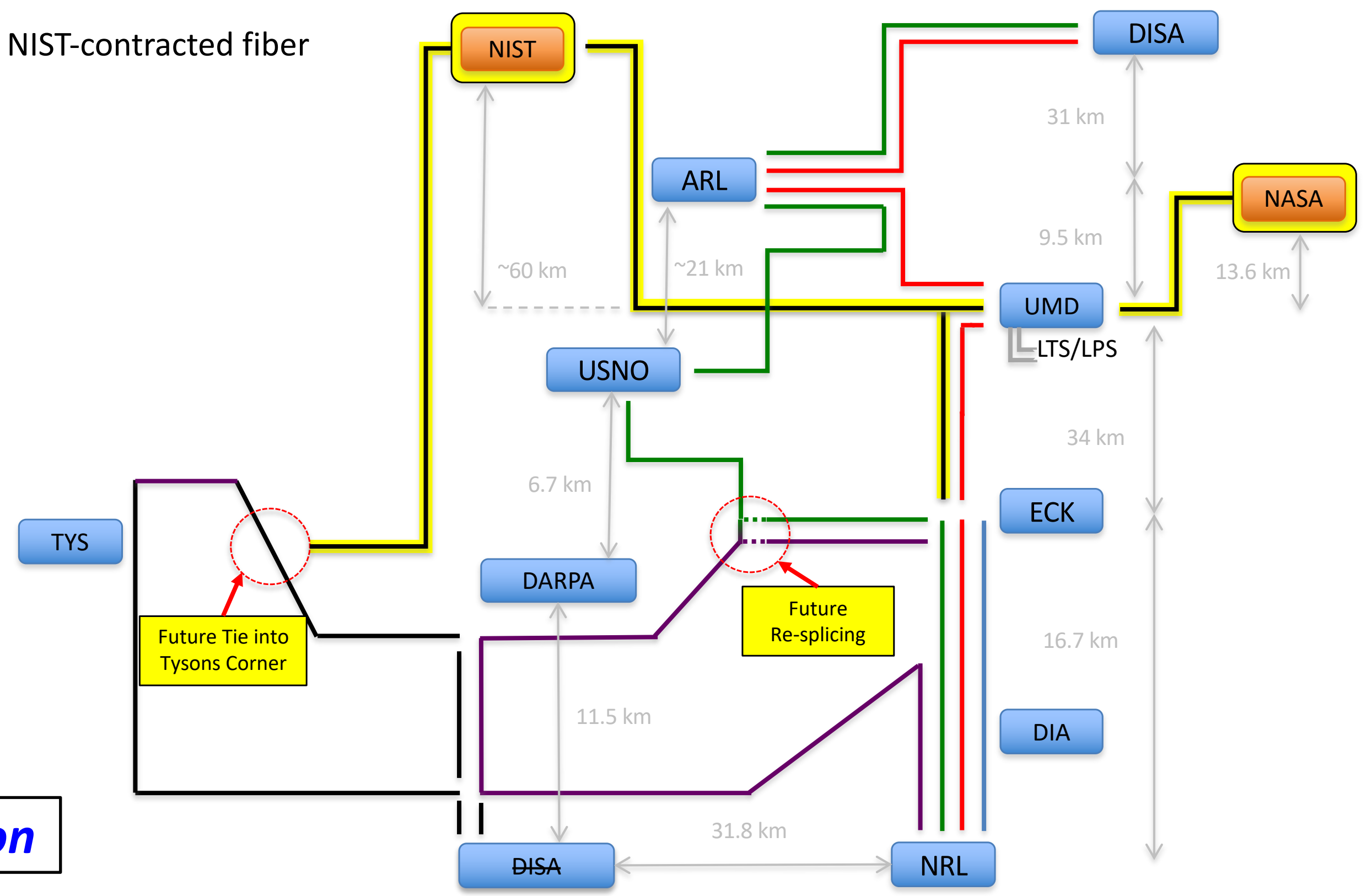


NRL Dark Fiber Testbed (ATDnet)



- NRL leases and operates a dark-fiber network in the Washington DC Metro Area (ATDnet)
- NIST and NASA/GSFC leases their own dark-fiber connections to augment ATDnet
- These assets are used as the basis for the Washington Metro Quantum Network Research Consortium testbed to conduct in-situ experiments among DC-QNet partners, along with the broader national networks (NQI)

- NIST National Institute of Standards & Technology (Gaithersburg) via NIST-contracted fiber
 - NASA NASA Goddard (Greenbelt) via NASA-contracted fiber
 - ARL Army Research Laboratory (Adelphi, MD)
 - DARPA Defense Advanced Research Projects Agency (ISI-E Arlington)
 - DISA Defense Information Systems Agency (Ft. Meade)
 - ECK Eckington Place (Existing TELCO "Meet Me" location in DC)
 - NRL Naval Research Laboratory
 - USNO United States Naval Observatory
 - TYS Tysons Corner (Potential TELCO "Meet Me" location in VA)
 - UMD University of MD (MAX – Mid-Atlantic Crossroads)
 - LTS – Laboratory for Telecommunications Science (NSA)
 - LPS – Laboratory for Physical Science (NSA)
- Each line segment represents a pair of dark fibers (spliced along entire path, connectorized at end of each segment)



Dark fiber, with full access from glass to application

DISTRIBUTION A: Approved for Public Release: DISTRIBUTION IS UNLIMITED

"Any opinions, findings, conclusions or recommendations expressed in this material are those of the author(s) and do not necessarily reflect the views of the Networking and Information Technology Research and Development Program."

The Networking and Information Technology Research and Development
(NITRD) Program

Mailing Address: NCO/NITRD, 2415 Eisenhower Avenue, Alexandria, VA 22314

Physical Address: 490 L'Enfant Plaza SW, Suite 8001, Washington, DC 20024, USA Tel: 202-459-9674,
Fax: 202-459-9673, Email: nco@nitrd.gov, Website: <https://www.nitrd.gov>

