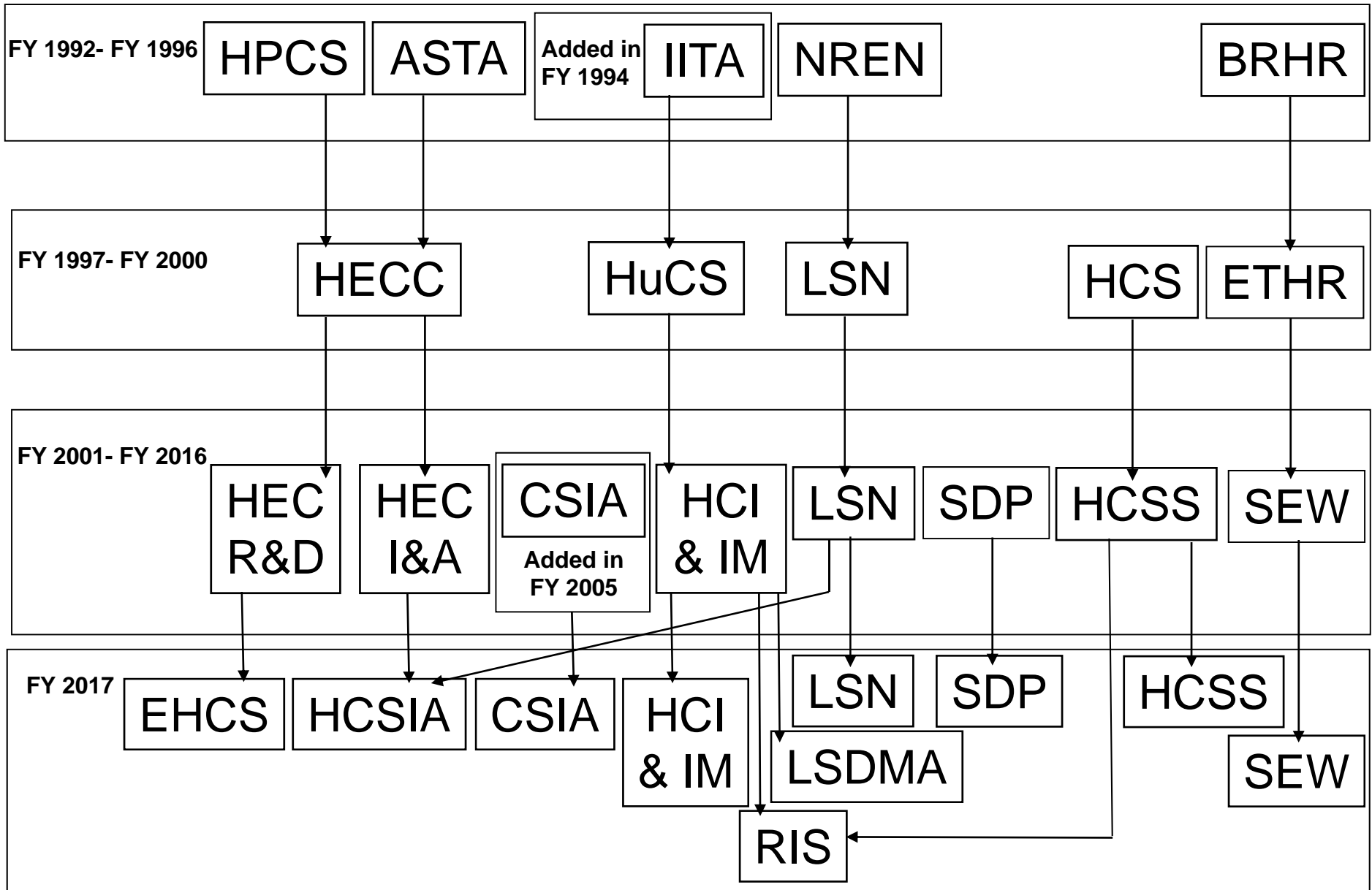


# History of NITRD PCAs



# Table 1

## Acronym Expansion

ASTA— Advanced Software Technology and Algorithms	HEC R&D— High End Computing Research and Development
BRHR— Basic Research and Human Resources	HPCS —High Performance Computing Systems
CSIA— Cyber Security and Information Assurance	HuCS— Human Centered Systems
EHCS – Enabling-R&D for High-Capability Computing Systems	IITA —Information Infrastructure Technology and Applications
ETHR — Education, Training, and Human Resources	LSDMA — Large Scale Data Management and Analysis
HCI & IM — Human Computer Interaction and Information Management	LSN — Large Scale Networking
HCS — High Confidence Systems	NREN — National Research and Education Network
HCSIA — High Capability Computing Systems Infrastructure and Applications	PCA— Program Component Area
HCSS — High Confidence Software and Systems	RIS— Robotics and Intelligent Systems
HECC— High End Computing and Computation	SDP — Software Design and Productivity
HEC I&A— High End Computing Infrastructure and Applications	SEW— Social, Economic, and Workforce Implications of IT and IT Workforce Development